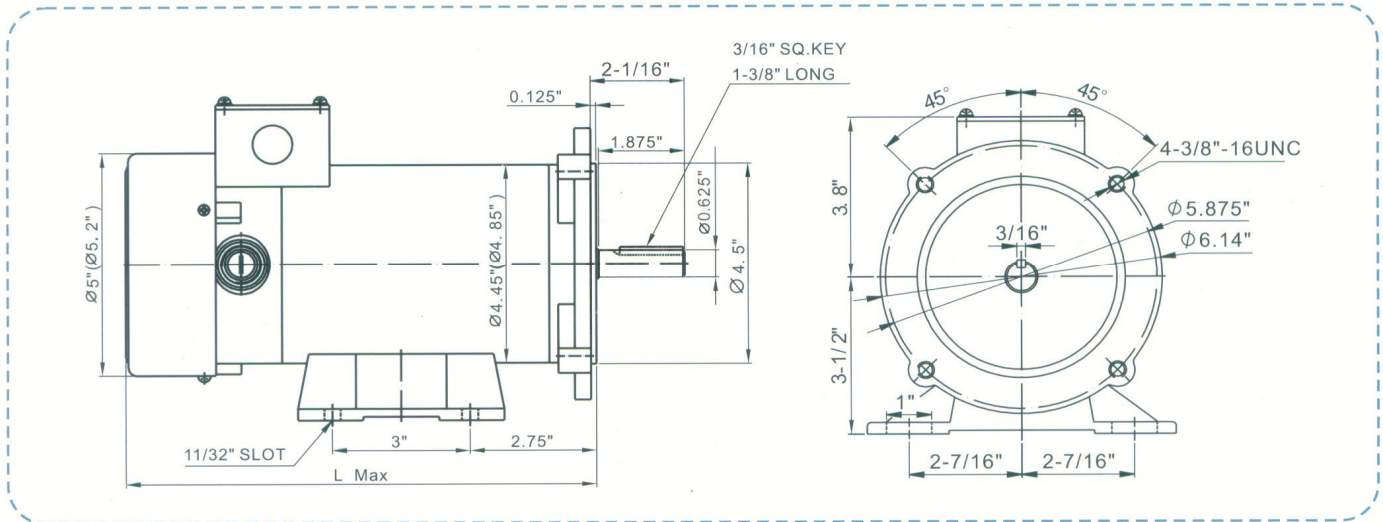




# RAE DC PRODUCTS GROUP

A BLUFFTON MOTOR WORKS COMPANY

## NEMA 56 PMDC Motors Specification Sheet



<u>Model</u>	<u>HP</u>	<u>Voltage</u>	<u>Current</u> <u>(Amp)</u>	<u>Speed</u> <u>(RPM)</u>	<u>INSUL</u> <u>Class</u>	<u>Torque</u> <u>(In/lbs)</u>	<u>L Max</u> <u>(inches)</u>
MT-041	1/4	180	1.39	1750	F	9.0	9.63
MT-031	1/4	90	2.90	1750	F	9.0	9.63
MT-042	1/3	180	1.85	1750	F	12.0	9.63
MT-033	1/3	90	3.70	1750	F	12.0	9.63
MT-043	1/2	180	2.78	1750	F	18.0	10.24
MT-032	1/2	90	5.30	1750	F	18.0	10.24
MT-044	3/4	180	3.90	1750	F	27.0	11.67
MT-035	3/4	90	7.80	1750	F	27.0	11.67
MT-037	1	180	5.20	1750	F	36.0	13.05
MT-034	1	90	10.4	1750	F	36.0	13.05

1. UL recognized Also CE and RoHs listed.
2. Replaceable brushes
3. ¼ Hp thru ½ Hp ratings have a 4.45ø frame/tube OD
4. ¾ Hp and 1.0 Hp ratings have a 4.85ø frame/tube OD.
5. Made in China
6. All these ratings are stock off the shelf
7. Optional Low Voltage (12v or 24V), or TENV Enclosed (Either option currently not stocked)